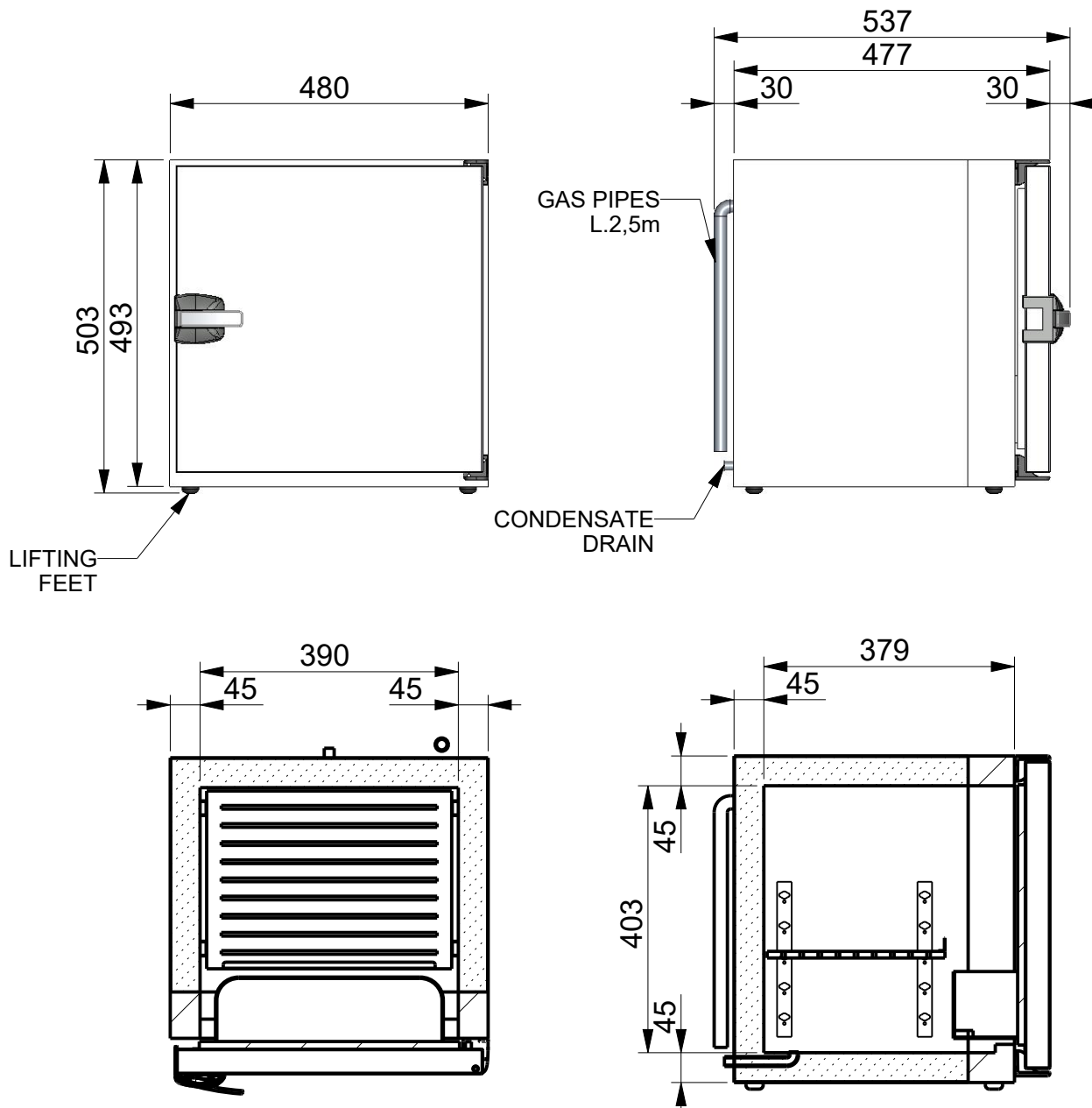




**MODEL FR60RC - Fridge capacity 60Lt**  
 Fridge (0° C +15° C) with remote compressor.  
 The internal walls are in 304BA (polished) stainless steel, while the external front and door are in 316SB (brushed) stainless steel.  
 The refrigeration unit is available at 12 / 24Vdc, 110Vac 60Hz or at 220Vac 50Hz with forced air or water cooling.  
 Our refrigerators are made of high quality stainless steel and are also suitable for outdoor use, provided they are protected from the elements with appropriate covers.  
 Various options are also available.

CODICE PRODOTTO / PRODUCT CODE	REVISIONE / REVISION:
<h1>mod. FR60RC</h1>	R04
	DATA / DATE:
	01/01/2023
 <p> <b>Frigonautica</b>  <i>Il freddo a misura di mare</i> </p> <p>           Via Confin 64, 30020 Torre di Mosto (Venezia) Italia Tel: +39 0421.325214 - Fax: +39 0421.325343            E-Mail: info@frigonautica.it - P.IVA: 03687150270  <a href="http://www.frigonautica.it">www.frigonautica.it</a> </p>	
<small>           PROPRIETA' DI FRIGONAUTICA srl            Senza autorizzazione scritta della stessa il presente disegno non potrà essere utilizzato per la costruzione dell'oggetto rappresentato, nè venire comunicato a terzi o riprodotto anche parzialmente. La società proprietaria tutela i propri diritti a rigor di legge.            ALL PROPRIETARY RIGHT RESERVED BY FRIGONAUTICA srl            This drawing shall not be reproduced also partially or in any way utilized for the manufacture of the component or unit herein illustrated and must not be released to other parties without written consent. Any infringement will be legally pursued.         </small>	

# SPECIFICATIONS

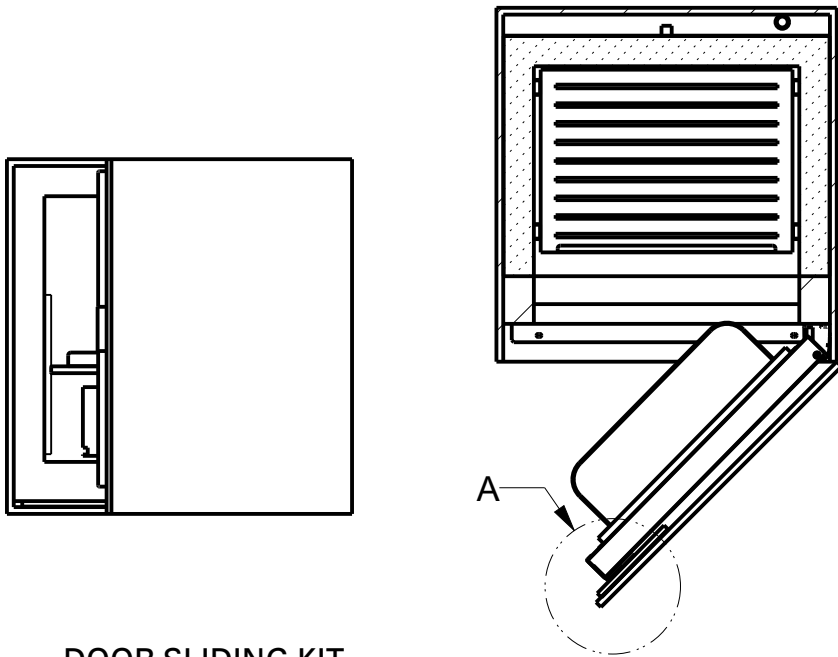


## FEATURES CABINET FR60RC

- W480xD537xH493 [mm] Fridge capacity 60 Lt;
- Range of temperature from 0°C to +15°C;
- External plasticized galvanized metal sheet;
- Internal walls in 304BA stainless steel (Polished);
- Front part and door in 316SB stainless steel (Brushed);
- Predisposition for door opening on both the right and left;
- Polyurethane foam insulation thickness 45mm;
- Weight 20Kg (without compressor);
- Condensate drainage connected by ¼ coupling;
- N. 01 stainless steel shelves adjustable in height;
- N. 01 stainless steel bottle holders;
- Gas expansion by capillary pipe;
- Mechanical thermostat for temperature control;
- External compressor (pipe length 2,5m);
- Internal led light with door switch;
- In case of external use, do not expose the refrigerator directly to atmospheric agents, but protect it adequately with special covers.

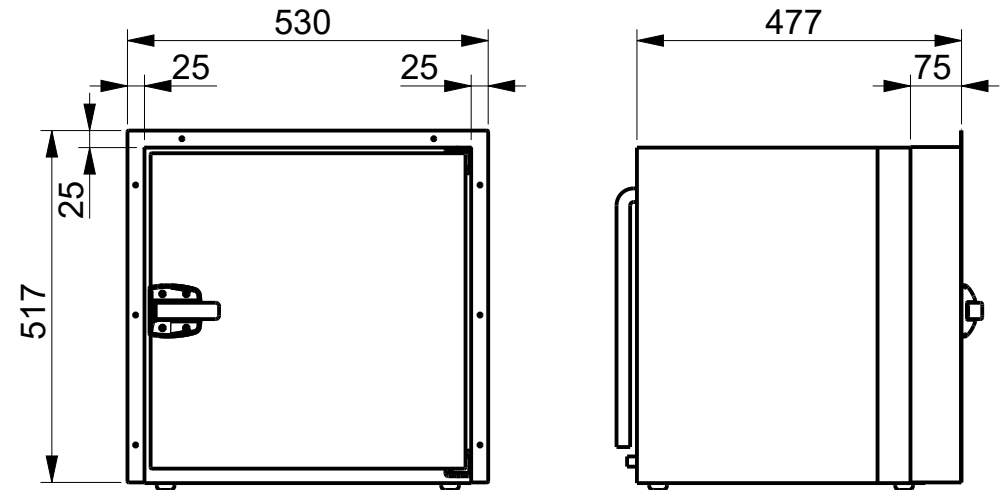
CODICE PRODOTTO / PRODUCT CODE	REVISIONE / REVISION:
<h1>mod. FR60RC</h1>	R04
	DATA / DATE:
	01/01/2023
 <p><i>Il freddo a misura di mare</i></p>	
<p>Via Confin 64, 30020 Torre di Mosto (Venezia) Italia Tel: +39 0421.325214 - Fax: +39 0421.325343 E-Mail: info@frigonautica.it - P.IVA: 03687150270 www.frigonautica.it</p>	
<small>           PROPRIETA' DI FRIGONAUTICA srl            Senza autorizzazione scritta della stessa il presente disegno non potrà essere utilizzato per la costruzione dell'oggetto rappresentato, nè venire comunicato a terzi o riprodotto anche parzialmente. La società proprietaria tutela i propri diritti a rigor di legge.            ALL PROPRIETARY RIGHT RESERVED BY FRIGONAUTICA srl            This drawing shall not be reproduced also partially or in any way utilized for the manufacture of the component or unit herein illustrated and must not be released to other parties without written consent. Any infringement will be legally pursued.         </small>	

# ACCESSORIES - OPTIONAL



## - DOOR SLIDING KIT

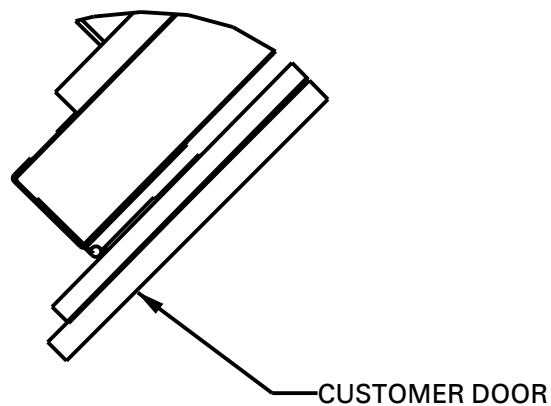
Sliding mechanism which replaces the handle in the case of a fully built-in installation with an exterior cabinet door.



## - FIXING KIT

Special stainless steel frame which allows to easily fix the cupboard to the furniture.

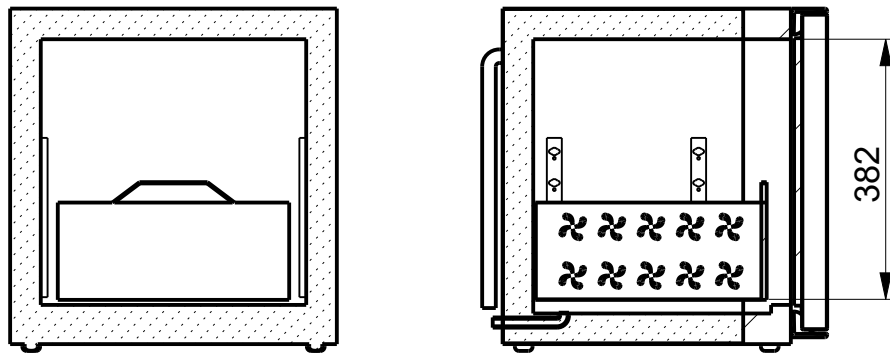
VIEW - A-



CUSTOMER DOOR

CODICE PRODOTTO / PRODUCT CODE	REVISIONE / REVISION:
<h1>mod. FR60RC</h1>	R04
	DATA / DATE:
	01/01/2023
 <b>Frigonautica</b> <i>Il freddo a misura di mare</i>	
Via Confin 64, 30020 Torre di Mosto (Venezia) Italia Tel: +39 0421.325214 - Fax: +39 0421.325343 E-Mail: info@frigonautica.it - P.IVA: 03687150270 www.frigonautica.it	
<small>                 PROPRIETA' DI FRIGONAUTICA srl                  Senza autorizzazione scritta della stessa il presente disegno non potrà essere utilizzato per la costruzione dell'oggetto rappresentato, nè venire comunicato a terzi o riprodotto anche parzialmente. La società proprietaria tutela i propri diritti a rigor di legge.                  ALL PROPRIETARY RIGHT RESERVED BY FRIGONAUTICA srl                  This drawing shall not be reproduced also partially or in any way utilized for the manufacture of the component or unit herein illustrated and must not be released to other parties without written consent. Any infringement will be legally pursued.             </small>	

## ACCESSORIES - OPTIONAL



### - SLIDING DRAWERS

Special drawers complete with racks and locking device

No. Max drawers: 01

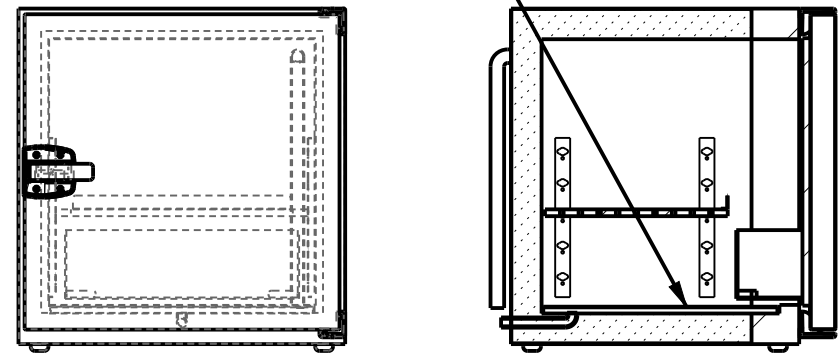
Net using space drawers (from bottom):

1 drawer W335 x D340 x H382 [mm]

### ATTENTION:

In order to pull out the drawers, is necessary that the door is opened at least 140°

### STAINLESS STEEL PLATE

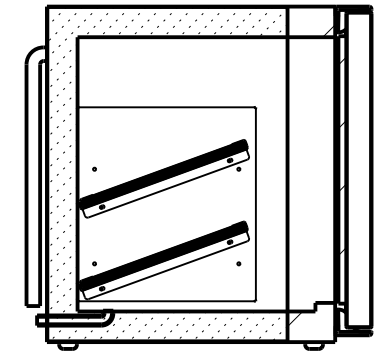
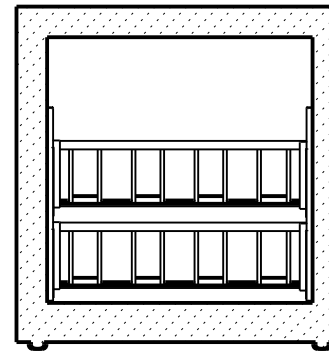
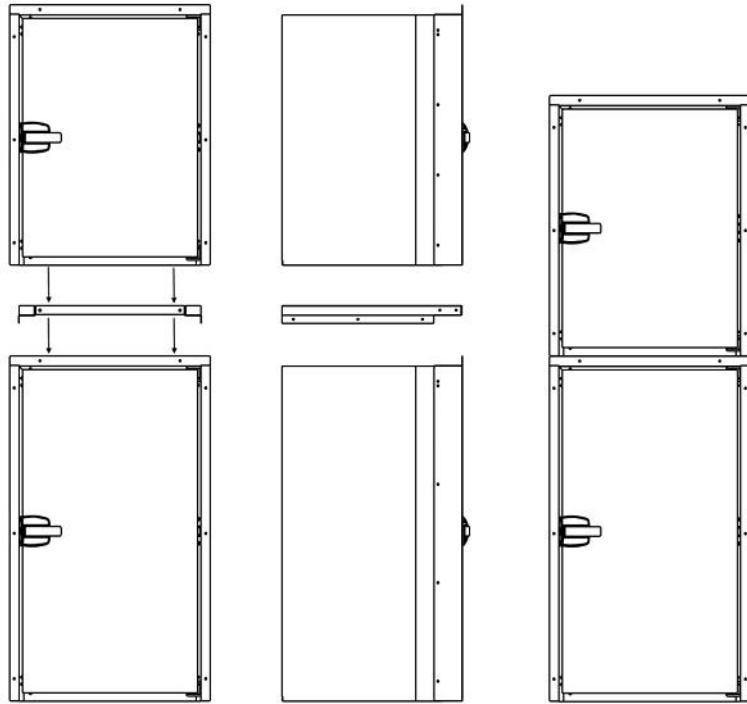


### - STAINLESS STEEL PLATE FOR BOTTOM

Raised stainless steel plate keeps foods out of condensation water in the bottom of the fridge.

CODICE PRODOTTO / PRODUCT CODE	REVISIONE / REVISION:
<h1>mod. FR60RC</h1>	R04
	DATA / DATE:
	01/01/2023
 <b>Frigonautica</b> <i>Il freddo a misura di mare</i>	
Via Confin 64, 30020 Torre di Mosto (Venezia) Italia Tel: +39 0421.325214 - Fax: +39 0421.325343 E-Mail: info@frignonautica.it - P.IVA: 03687150270 www.frigonautica.it	
<small>                 PROPRIETA' DI FRIGONAUTICA srl                  Senza autorizzazione scritta della stessa il presente disegno non potrà essere utilizzato per la costruzione dell'oggetto rappresentato, nè venire comunicato a terzi o riprodotto anche parzialmente. La società proprietaria tutela i propri diritti a rigor di legge.                  ALL PROPRIETARY RIGHT RESERVED BY FRIGONAUTICA srl                  This drawing shall not be reproduced also partially or in any way utilized for the manufacture of the component or unit herein illustrated and must not be released to other parties without written consent. Any infringement will be legally pursued.             </small>	

# ACCESSORIES - OPTIONAL



## - OVERLAP KIT

Special overlapping kit in steel which allows you to fix and overlap two Frigonautica models with the same width.

The possible combinations are listed in the table below or on the website:

[www.frigonautica.it/en/](http://www.frigonautica.it/en/)

## - FIXED ORIZZONTAL SHELVES

Fixed orrizontal shelves made especially for laying bottles for up to 02 shelves with 04 bottles each.

	42	50	60	80	90	115	130	160	FC0	FC1	FC2	FC4	CC1
42													
50													
60			X	X		X							
80													
90													
115													
130													
160													
FC0													
FC1													
FC2													
FC4													
CC1													

CODICE PRODOTTO / PRODUCT CODE	REVISIONE / REVISION:
<h1>mod. FR60RC</h1>	R04
	DATA / DATE:
	01/01/2023



## Frigonautica

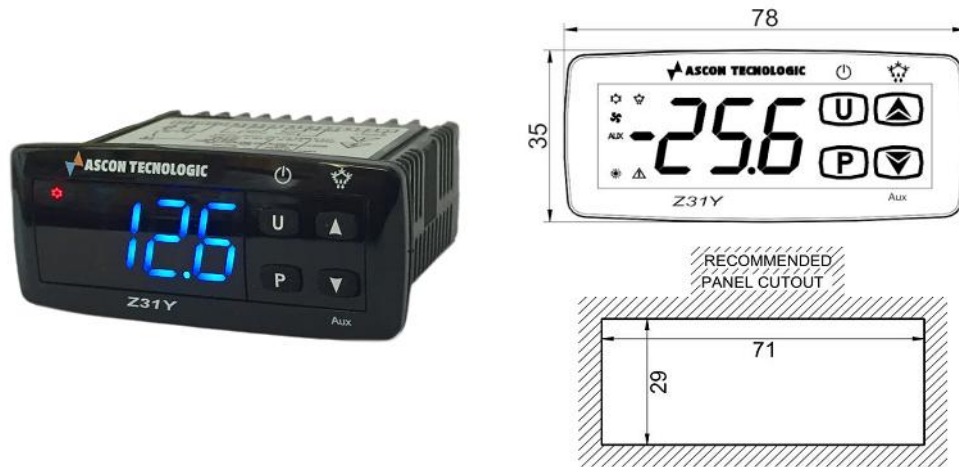
*Il freddo a misura di mare*

Via Confin 64, 30020 Torre di Mosto (Venezia) Italia Tel: +39 0421.325214 - Fax: +39 0421.325343  
E-Mail: [info@frignautica.it](mailto:info@frignautica.it) - P.IVA: 03687150270  
[www.frigonautica.it](http://www.frigonautica.it)

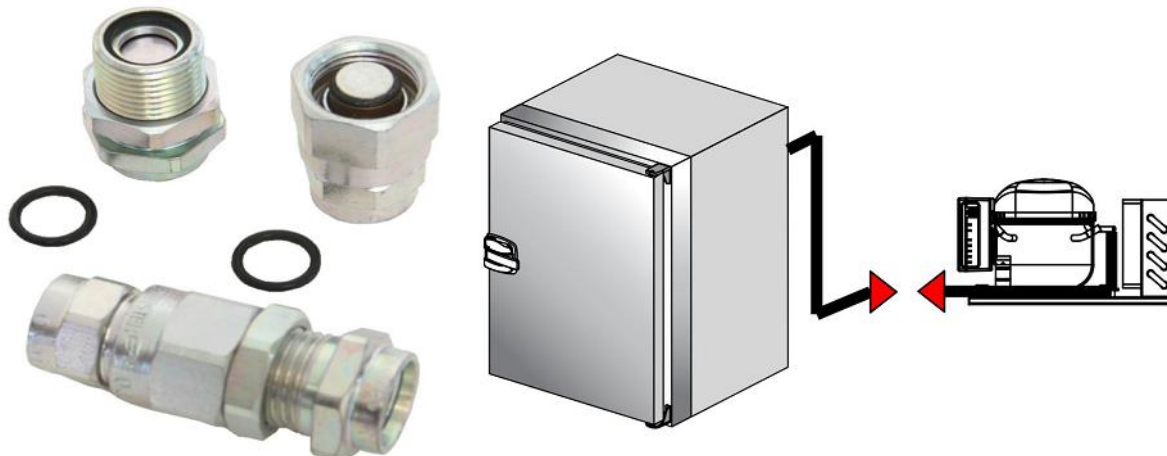
PROPRIETA' DI FRIGNAUTICA srl  
Senza autorizzazione scritta della stessa il presente disegno non potrà essere utilizzato per la costruzione dell'oggetto rappresentato, nè venire comunicato a terzi o riprodotto anche parzialmente. La società proprietaria tutela i propri diritti a rigor di legge.  
ALL PROPRIETARY RIGHT RESERVED BY FRIGNAUTICA srl  
This drawing shall not be reproduced also patially or in any way utilized for the manufacture of the component or unit herein illustrated and must not be released to other parties without written consent. Any infringement will be legally pursued.

## ACCESSORIES - OPTIONAL

- REMOTE ELECTRONICAL THERMOSTAT (DIGITAL THERMOSTAT)  
In order to keep the internal temperature under control and have real time indications of fridge functionality.



- QUICKLY COUPLINGS  
Special couplings which allow to separate cabinet from compressor avoiding gas losing. That's very useful during installation which do not request skilled technical personnel.



- SWITCHING POWER SUPPLY  
Compact and powerful switching power supply.  
Dimension: W120 x D270 x H50[mm] - 1,1Kg

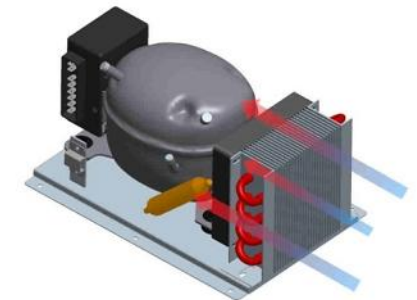
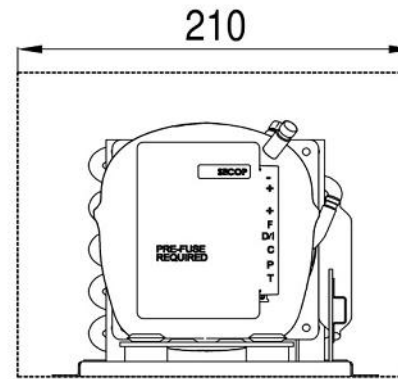
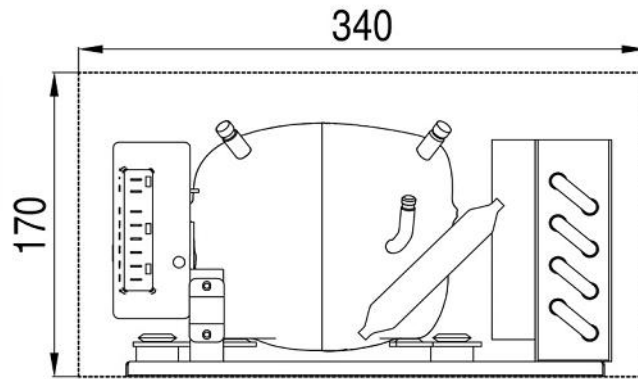


Model	Input	Power input	Output	
RA15-110V 12Vdc	110Vac	168W	12Vdc	14A
RA15-110V 24Vdc	110Vac	168W	24Vdc	7A
RA15-220V 12Vdc	220Vac	168W	12Vdc	14A
RA15-220V 24Vdc	220Vac	168W	24Vdc	7A

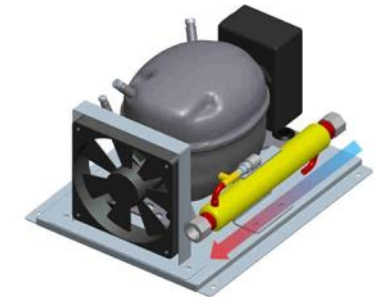
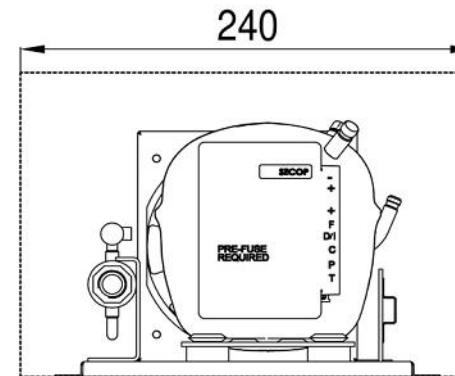
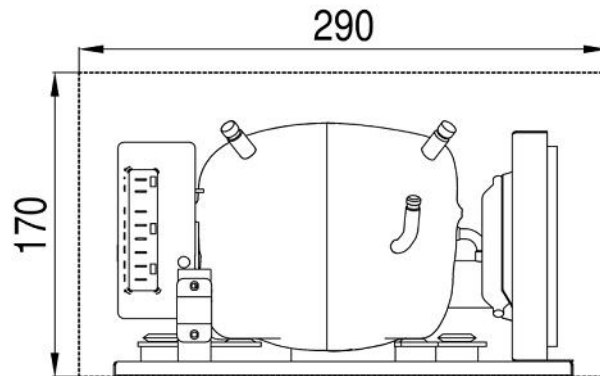
CODICE PRODOTTO / PRODUCT CODE		REVISIONE / REVISION:	
<h1>mod. FR60RC</h1>		R04	
		DATA / DATE:	
		01/01/2023	
Via Confin 64, 30020 Torre di Mosto (Venezia) Italia Tel: +39 0421.325214 - Fax: +39 0421.325343 E-Mail: info@frigonautica.it - P.IVA: 03687150270 www.frigonautica.it			
<small>                 PROPRIETA' DI FRIGONAUTICA srl                  Senza autorizzazione scritta della stessa il presente disegno non potrà essere utilizzato per la costruzione dell'oggetto rappresentato, nè venire comunicato a terzi o riprodotto anche parzialmente. La società proprietaria tutela i propri diritti a rigor di legge.                  ALL PROPRIETARY RIGHT RESERVED BY FRIGONAUTICA srl                  This drawing shall not be reproduced also partially or in any way utilized for the manufacture of the component or unit herein illustrated and must not be released to other parties without written consent. Any infringement will be legally pursued.             </small>			

# REFRIGERATION UNITS - 12/24Vdc

**EV80**



**EAF80**



## EV - FORCED AIR COOLED COMPRESSOR

The location of the refrigeration unit must be well ventilated and must allow adequate air passage. It is essential to provide good ventilation to the refrigerating unit. The correct working of the system is guaranteed if there is at least 100m<sup>3</sup>/h airflow to the compressor. We suggest air opening at least 400cm<sup>2</sup> for suction and at least 400cm<sup>2</sup> for warm air exit.

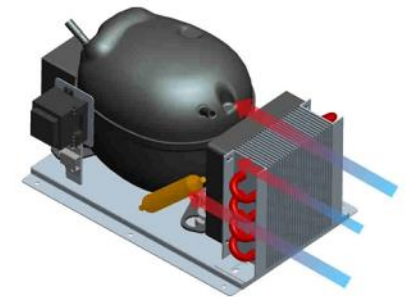
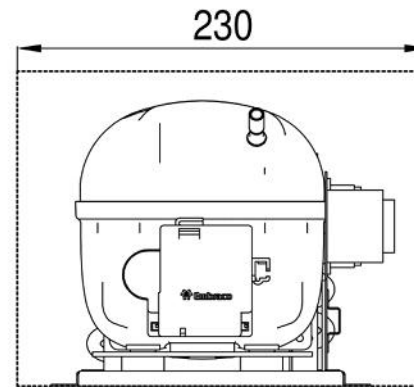
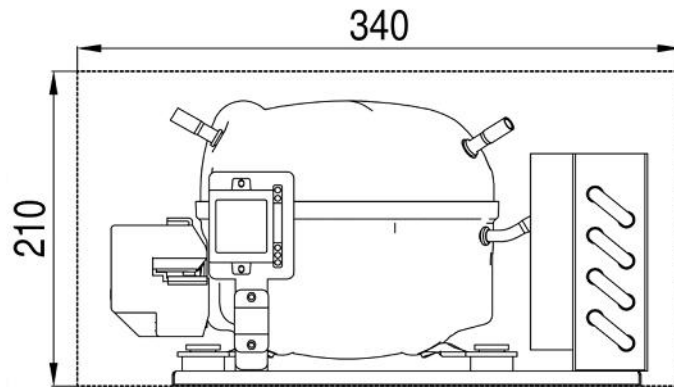
## EAF - SEA WATER COOLED COMPRESSOR

The operation of the compressor is ensured by a specific counter-current sea water condenser. The water circulation pump or the external condenser outside the hull are options on request. The location of the refrigeration unit must be well ventilated and the water flow to the condenser must be constant.

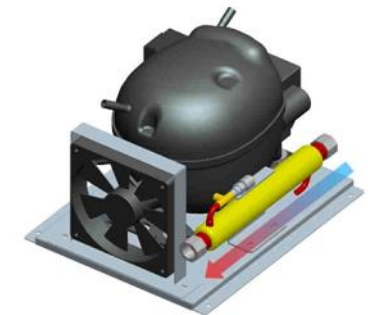
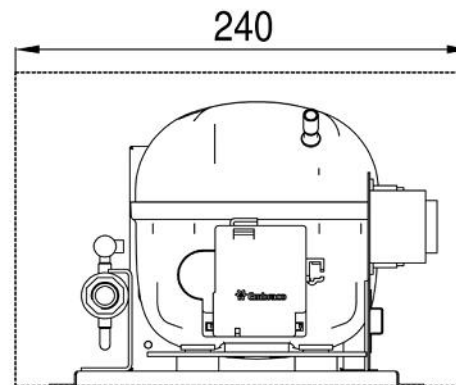
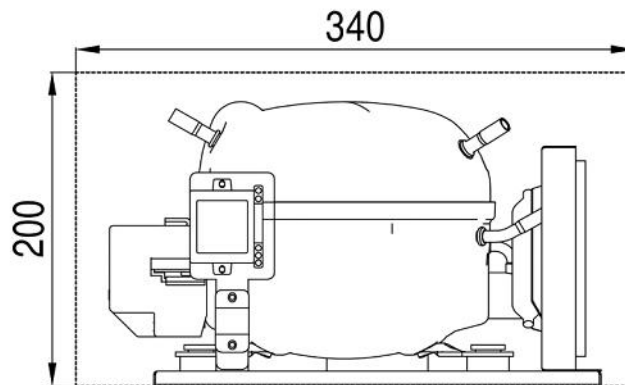
CODICE PRODOTTO / PRODUCT CODE	REVISIONE / REVISION:
<h1>mod. FR60RC</h1>	R04
	DATA / DATE:
	01/01/2023
 <p><b>Frigonautica</b> <i>Il freddo a misura di mare</i></p>	
<p>Via Confin 64, 30020 Torre di Mosto (Venezia) Italia Tel: +39 0421.325214 - Fax: +39 0421.325343 E-Mail: info@frigonautica.it - P.IVA: 03687150270 www.frigonautica.it</p>	
<small>                 PROPRIETA' DI FRIGONAUTICA srl                  Senza autorizzazione scritta della stessa il presente disegno non potrà essere utilizzato per la costruzione dell'oggetto rappresentato, nè venire comunicato a terzi o riprodotto anche parzialmente. La società proprietaria tutela i propri diritti a rigor di legge.                  ALL PROPRIETARY RIGHT RESERVED BY FRIGONAUTICA srl                  This drawing shall not be reproduced also partially or in any way utilized for the manufacture of the component or unit herein illustrated and must not be released to other parties without written consent. Any infringement will be legally pursued.             </small>	

# REFRIGERATION UNITS - 110-60Hz - 240Vac 50/60Hz

**EV80**



**EAF80**



## EV - FORCED AIR COOLED COMPRESSOR

The location of the refrigeration unit must be well ventilated and must allow adequate air passage. It is essential to provide good ventilation to the refrigerating unit. The correct working of the system is guaranteed if there is at least 100m<sup>3</sup>/h airflow to the compressor. We suggest air opening at least 400cm<sup>2</sup> for suction and at least 400cm<sup>2</sup> for warm air exit.

## EAF - SEA WATER COOLED COMPRESSOR

The operation of the compressor is ensured by a specific counter-current sea water condenser. The water circulation pump or the external condenser outside the hull are options on request. The location of the refrigeration unit must be well ventilated and the water flow to the condenser must be constant.

CODICE PRODOTTO / PRODUCT CODE	REVISIONE / REVISION:
<h1>mod. FR60RC</h1>	R04
	DATA / DATE:
	01/01/2023
 <p><b>Frigonautica</b> <i>Il freddo a misura di mare</i></p>	
<p>Via Confin 64, 30020 Torre di Mosto (Venezia) Italia Tel: +39 0421.325214 - Fax: +39 0421.325343 E-Mail: info@frigonautica.it - P.IVA: 03687150270 www.frigonautica.it</p>	
<small>                 PROPRIETA' DI FRIGONAUTICA srl                  Senza autorizzazione scritta della stessa il presente disegno non potrà essere utilizzato per la costruzione dell'oggetto rappresentato, nè venire comunicato a terzi o riprodotto anche parzialmente. La società proprietaria tutela i propri diritti a rigor di legge.                  ALL PROPRIETARY RIGHT RESERVED BY FRIGONAUTICA srl                  This drawing shall not be reproduced also partially or in any way utilized for the manufacture of the component or unit herein illustrated and must not be released to other parties without written consent. Any infringement will be legally pursued.             </small>	